

1

2

3

4

5

6

A

A

B

B

C

C

D

D

M25x1.5

InKonn

Seal

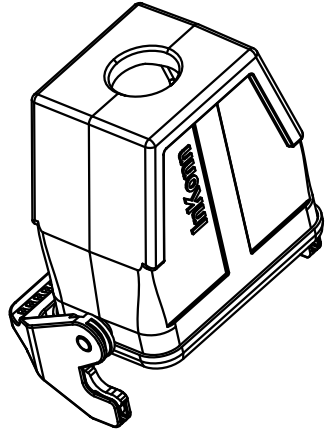
74.8



88.7

74

22.4

43



 All Dimensions in mm Original Size DIN A4	Date 2019-12-10	Drawing No. TC5785631	Rev. A00	Scale 1:1
	 InKonn® InKonn (Suzhou) Electric Technology Co.,Ltd.	Part No. 10 11 010 1412	Created by Shuxu Huang	Checked by Yiyi Luo
Type Name HB10-HCTC-SL-M25				

1

2

3

4

5

6